

Modular Series NL

Filter pressure regulator valve, NL 4, G 3/8 - G 3/4

Rexroth
Bosch Group



Technical Data

Type	Filter Pressure regulator	Filter insert: cellpor, exchangeable Diaphragm-type pressure regulator with secondary air exhaust
Supply pressure		See table
Secondary pressure		10 bar (145 psi)
Nominal flow Qn		See table
secondary pressure = 6 bar (87 psi) and $\Delta p = 1$ bar (15 bar)		
Ambient temperature		+50 °C (+122 °F)
Medium		Compressed air
Weight		See table
Materials	Body	Zn - diecasting (chromized and black stove enamelled)
	Reservoir	Metal, with inspection glass, with bayonet lock Polycarbonate
Reservoir capacity	Filter	50 cm ³ (1.69 U.S. Fl.oz.)
Filter porosity		5 μm



Filter for separating solid impurities up to 5 μm from compressed air and gases
Protective guard (only for polycarbonate reservoir): sheet metal, can be retrofitted
Installation position: vertical
Plastic containers may only be cleaned with water, soap suds, and other similar, neutral agents.

Part no.

Symbol	Threaded ports	Nominal flow Qn [l/min] (SCFM)	Supply pressure [bar] (psi)	With options	Weight [kg] (lbs)	Part no. with pressure gauge
	G 3/8	3500 (124)	0,5 - 16 (7-232)	Semi-automatic condensate drain, metal, with inspection glass	1,406 (3.100)	0821300372
	G 1/2	3500 (124)	0,5 - 16 (7-232)	Semi-automatic condensate drain, metal, with inspection glass	1,406 (3.100)	0821300352
	G 3/4	3500 (124)	0,5 - 16 (7-232)	Semi-automatic condensate drain, metal, with inspection glass	1,406 (3.100)	0821300382
	G 3/8	3500 (124)	0,5 - 16 (7-232)	Semi-automatic condensate drain, polycarbonate	1,190 (2.623)	0821300370
	G 1/2	3500 (124)	0,5 - 16 (7-232)	Semi-automatic condensate drain, polycarbonate	1,190 (2.623)	0821300350
	G 3/4	3500 (124)	0,5 - 16 (7-232)	Semi-automatic condensate drain, polycarbonate	1,190 (2.623)	0821300380
	G 3/8	3500 (124)	0,5 - 16 (7-232)	Semi-automatic condensate drain, polycarbonate, with protective guard	1,282 (2.826)	0821300371
	G 1/2	3500 (124)	0,5 - 16 (7-232)	Semi-automatic condensate drain, polycarbonate, with protective guard	1,282 (2.826)	0821300351
	G 3/4	3500 (124)	0,5 - 16 (7-232)	Semi-automatic condensate drain, polycarbonate, with protective guard	1,282 (2.826)	0821300381
	G 3/8	3500 (124)	2 - 16 (29-232)	Fully automatic condensate drain, metal, with inspection glass	1,472 (3.245)	0821300375
	G 1/2	3500 (124)	2 - 16 (29-232)	Fully automatic condensate drain, metal, with inspection glass	1,472 (3.245)	0821300355
	G 3/4	3500 (124)	2 - 16 (29-232)	Fully automatic condensate drain, metal, with inspection glass	1,472 (3.245)	0821300385
	G 3/8	3500 (124)	2 - 16 (29-232)	Fully automatic condensate drain, polycarbonate	1,256 (2.769)	0821300373
	G 1/2	3500 (124)	2 - 16 (29-232)	Fully automatic condensate drain, polycarbonate	1,256 (2.769)	0821300353
	G 3/4	3500 (124)	2 - 16 (29-232)	Fully automatic condensate drain, polycarbonate	1,256 (2.769)	0821300383
	G 3/8	3500 (124)	2 - 16 (29-232)	Fully automatic condensate drain, polycarbonate, with protective guard	1,346 (2.967)	0821300374
	G 1/2	3500 (124)	2 - 16 (29-232)	Fully automatic condensate drain, polycarbonate, with protective guard	1,346 (2.967)	0821300354
	G 3/4	3500 (124)	2 - 16 (29-232)	Fully automatic condensate drain, polycarbonate, with protective guard	1,346 (2.967)	0821300384

Modular Series NL

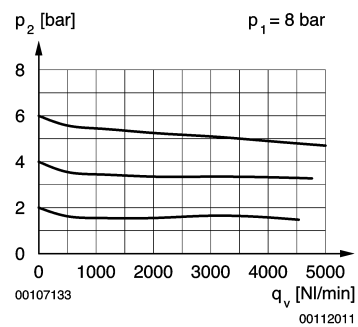
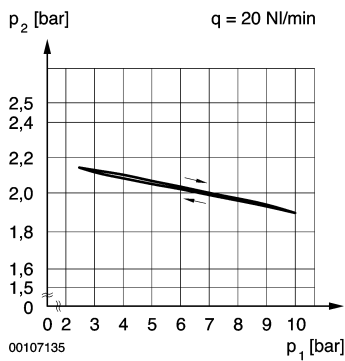
Filter pressure regulator valve, NL 4, G 3/8 - G 3/4

Rexroth
Bosch Group

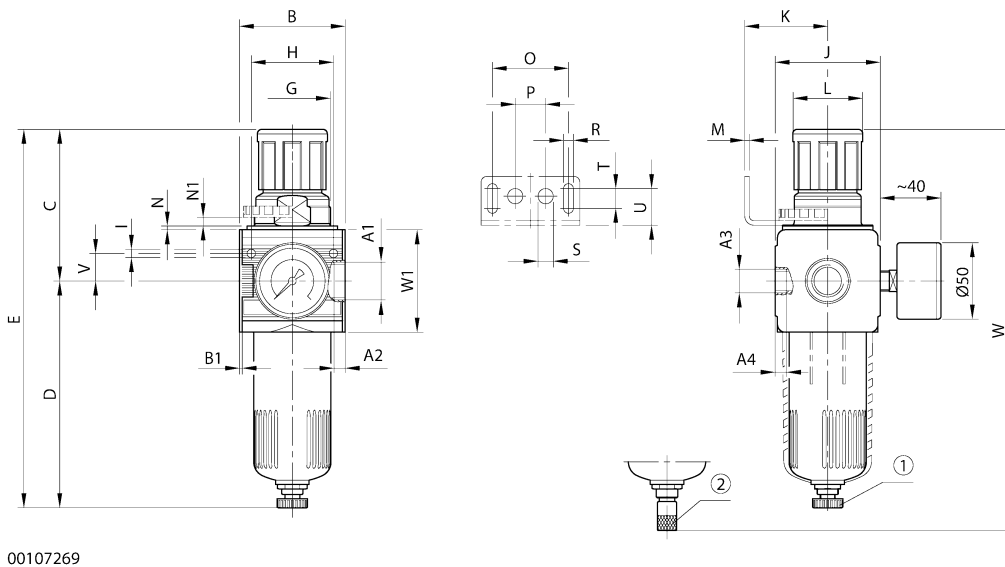
▲ Accessories (to be ordered separately)

Filter reservoir, 1827009XXX
 Protective guard (only for polycarbonate reservoir), 1820507001
 Filter insert, 5 µm, 1829207070
 Pressure regulator valve seal kit, 1827009354
 Compression spring, 1829246024
 Mounting bracket, 1821331014
 Mounting bracket kit, 1821336007
 Mounting screws for wall assembly (DIN 912; M5x85), 1823414014
 Control panel nut, 1829234071
 Block assembly kit, 1827009360

Pressure characteristics curve	Flow rate characteristic
--------------------------------	--------------------------



p_1 = Supply pressure; p_2 = Secondary pressure; q_v = Nominal flow; q = Flow rate



- 1) Semi-automatic condensate drain
- 2) Fully automatic condensate drain

A1	A2	A3	A4	B	B1	C	D	E	G	H	I	J	K	L
G 3/8	13	G 1/4	7	69,6	1,8	97	146,5	243,5	M50x1,5	54	5,5	69	54,5	46
G 1/2	13	G 1/4	7	69,6	1,8	97	146,5	243,5	M50x1,5	54	5,5	69	54,5	46
G 3/4	13	G 1/4	7	69,6	1,8	97	146,5	243,5	M50x1,5	54	5,5	69	54,5	46

A1	M	N	N1	O	P	R	S	T	U	V	W	W1
G 3/8	3	3	5,5	50	20	6,4	10	13	24	18	261,5	67
G 1/2	3	3	5,5	50	20	6,4	10	13	24	18	261,5	67
G 3/4	3	3	5,5	50	20	6,4	10	13	24	18	261,5	67